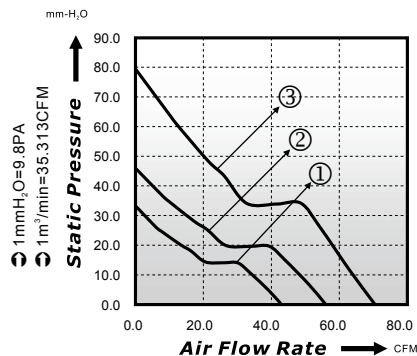


60x60x25mm

## ■ Model D

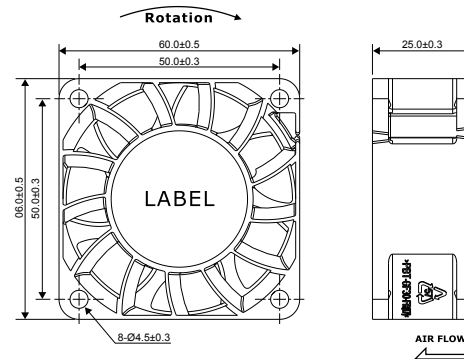


## ■ P-Q Curve (At Rated Voltage)



## ■ Dimensions Drawing

Unit: (mm)



Model No	Bearing (*)	Rated Voltage (VDC)	Rated Current (A)	Power Consumption (Watts)	Speed (rpm)	Air Flow (CFM)	Static Pressure (mmH <sub>2</sub> O)	Noise (dBA)	Curve
ED06025-12LB	●	12	0.90	10.80	10000	43.0	33.3	55.5	1
ED06025-12MB	●	12	1.32	15.84	13000	56.0	46.0	61.5	2
ED06025-12HB	●	12	2.40	28.80	16000	70.5	79.5	66.0	3
ED06025-24LB	●	24	0.46	11.04	10000	43.0	33.3	55.5	1
ED06025-24MB	●	24	0.66	15.84	13000	56.0	46.0	61.5	2
ED06025-24HB	●	24	1.20	28.80	16000	70.5	79.5	66.0	3

\* Bearing Type: ○ Sleeve ● Two Ball ○ Hydro-Dynamic